



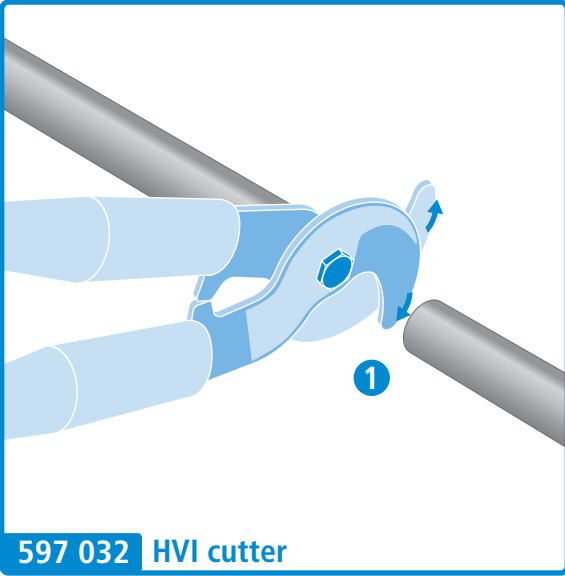
IEC 60417-6182:  
Installation,  
electrotechnical expertise



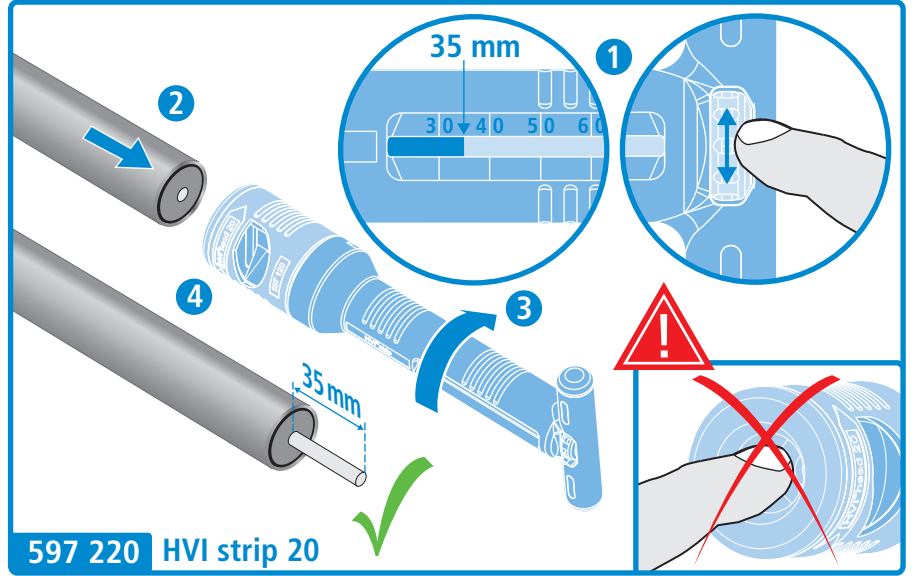
IEC 60417-6183:  
Installation,  
mechanical expertise



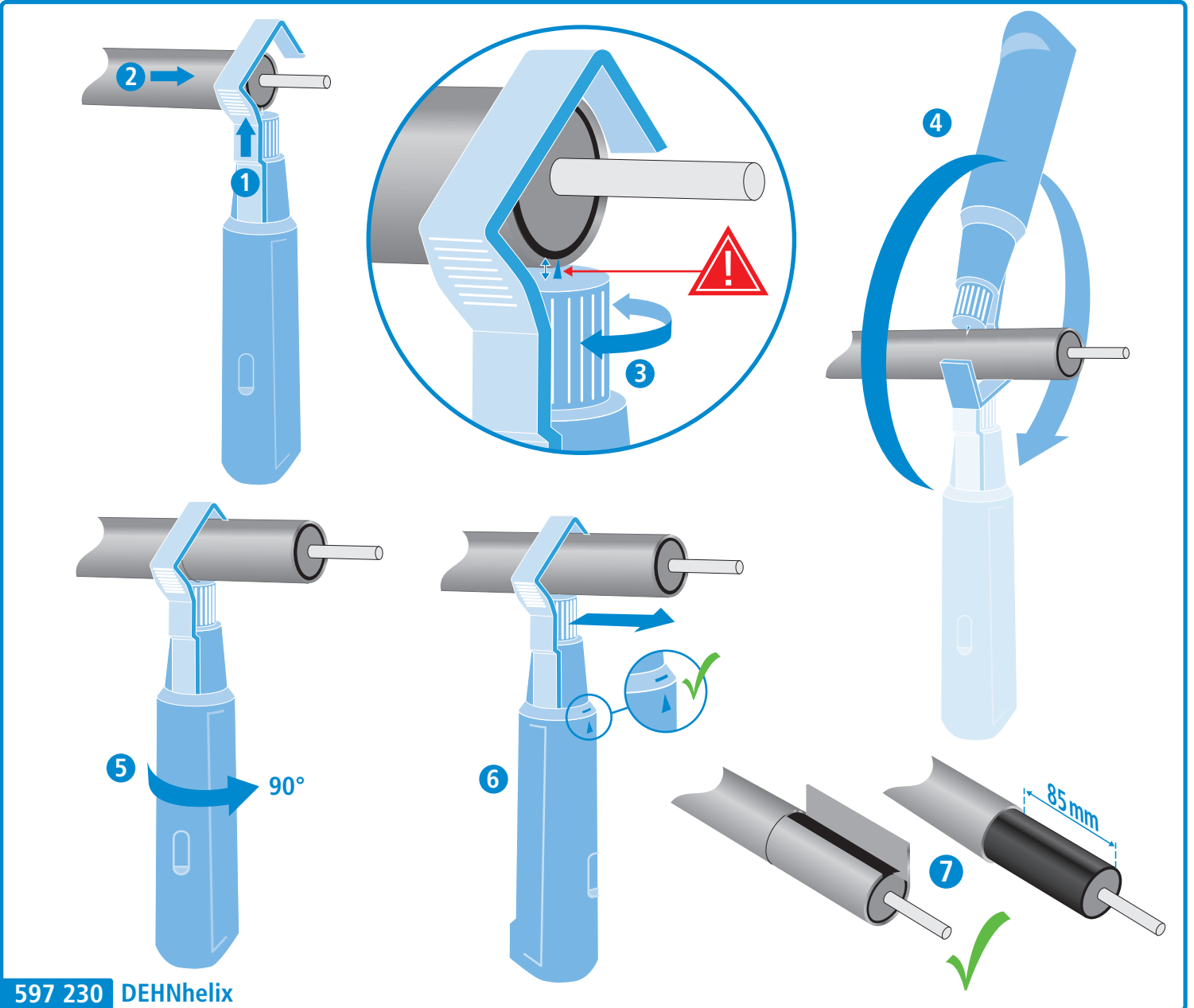
2119



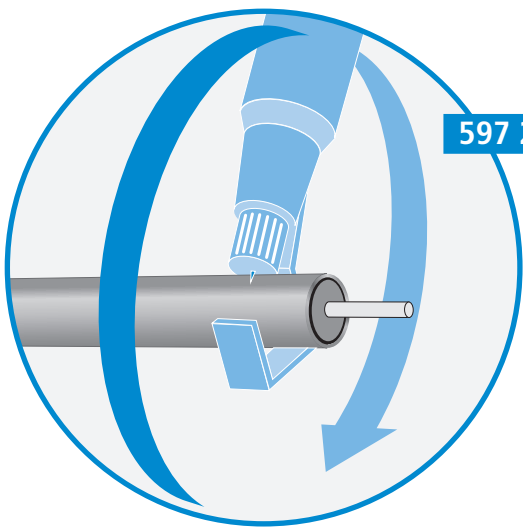
597 032 HVI cutter



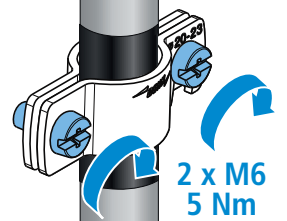
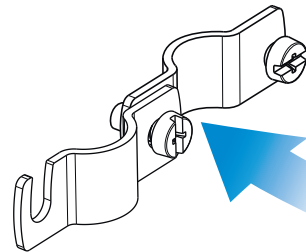
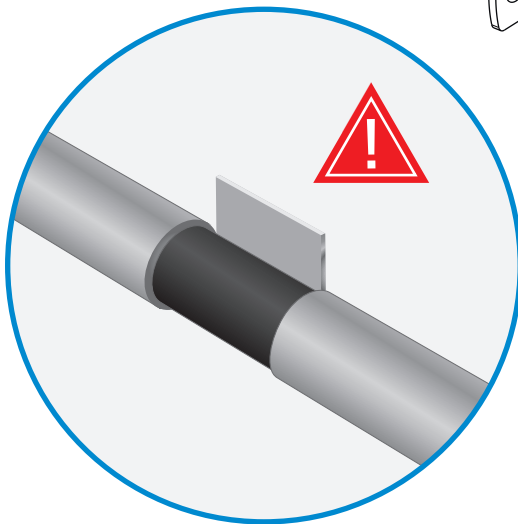
597 220 HVI strip 20



597 230 DEHNhelix

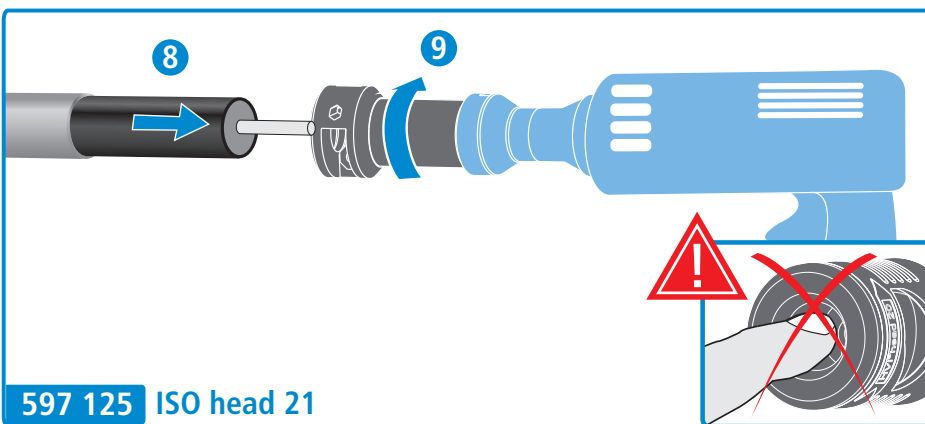


597 230 DEHNhelix



2 x M6  
5 Nm

819 649 MPK 18 V2A



597 125 ISO head 21

